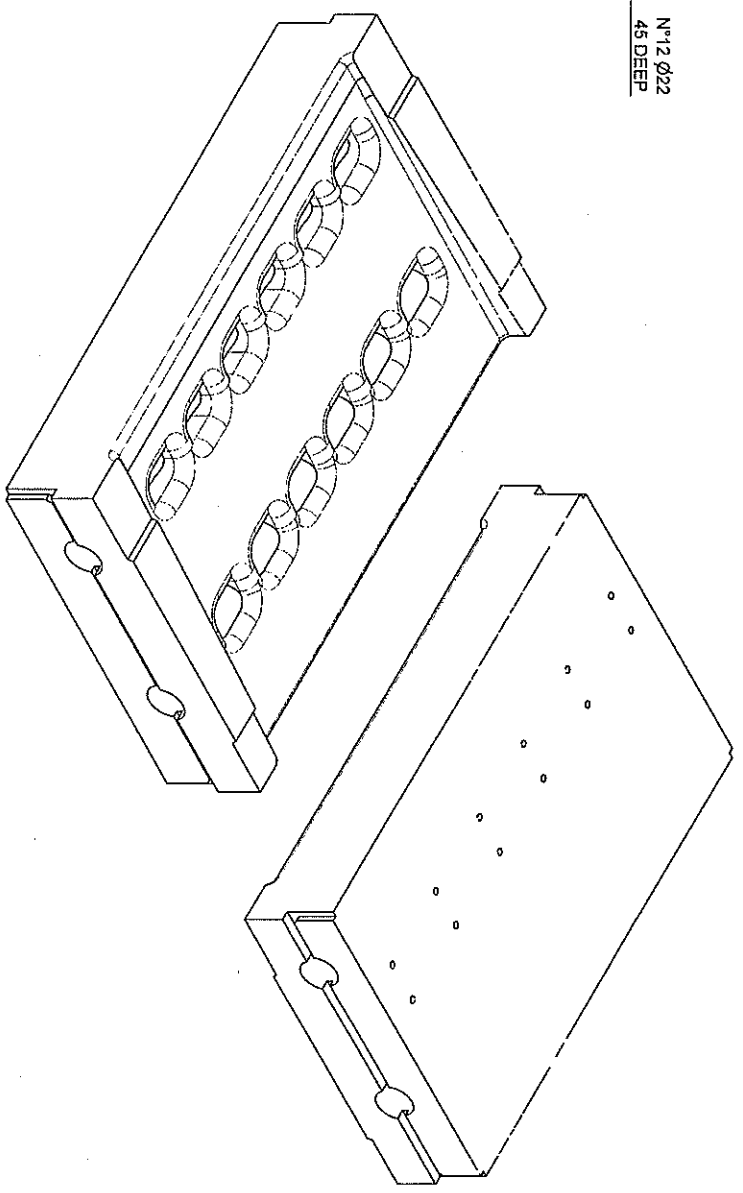


ISOMETRIC VIEWS



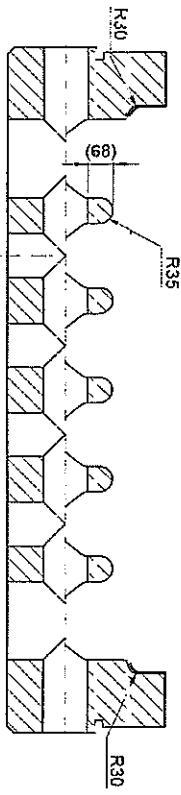
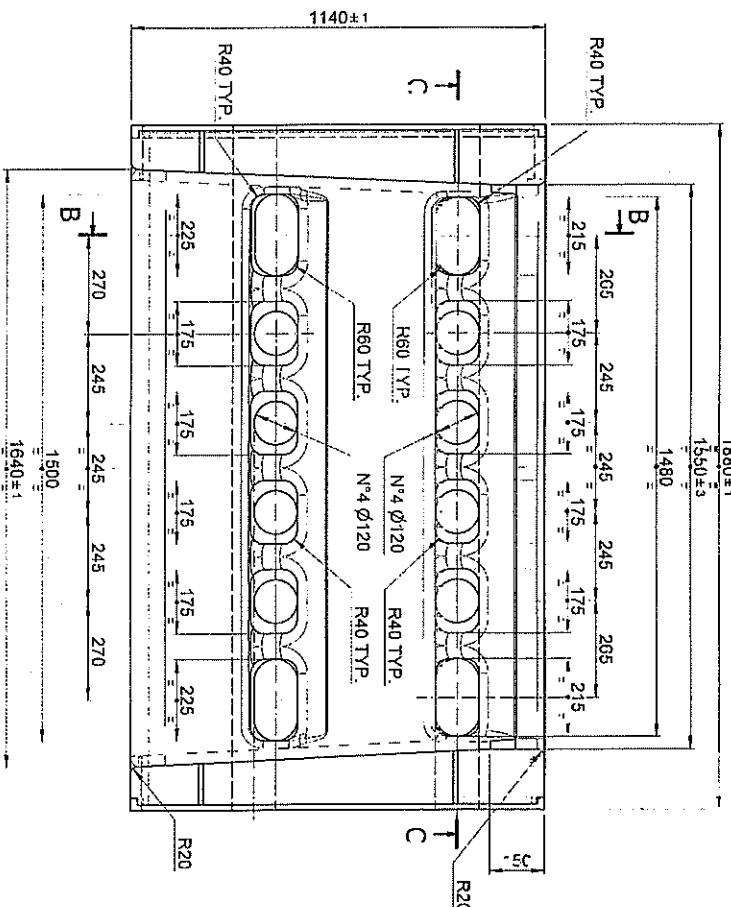
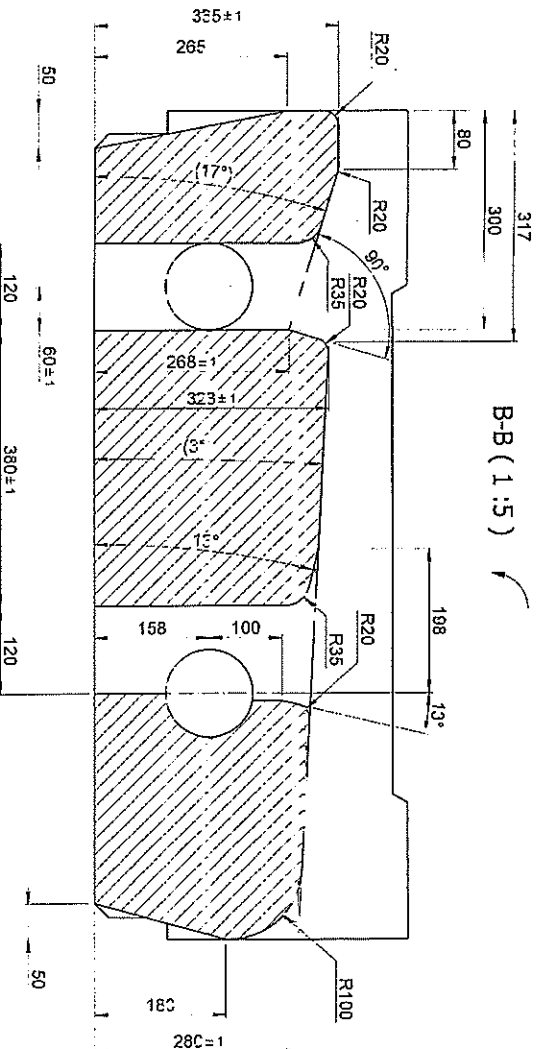
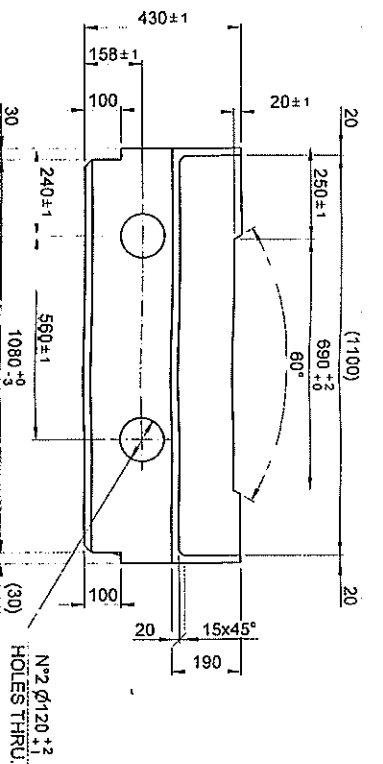
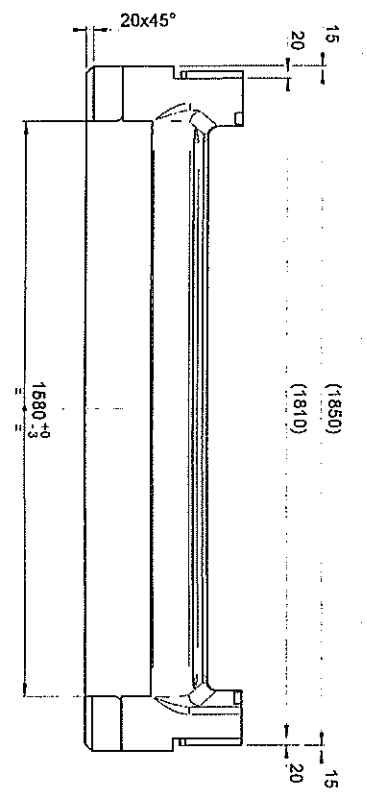
NOTE  
ALL MATERIAL MUST BE RESISTANT AGAINST:  
- MAX 200° F/93  
- MAX 1400 PSI  
- MAX TEMP 50°C  
ALL MEASUREMENTS REFER TO A MANUFACTURING TEMPERATURE OF 20°C.  
MATERIAL GRAVITY SUITABLE FOR CONDITION ABOVE

REVISIONS

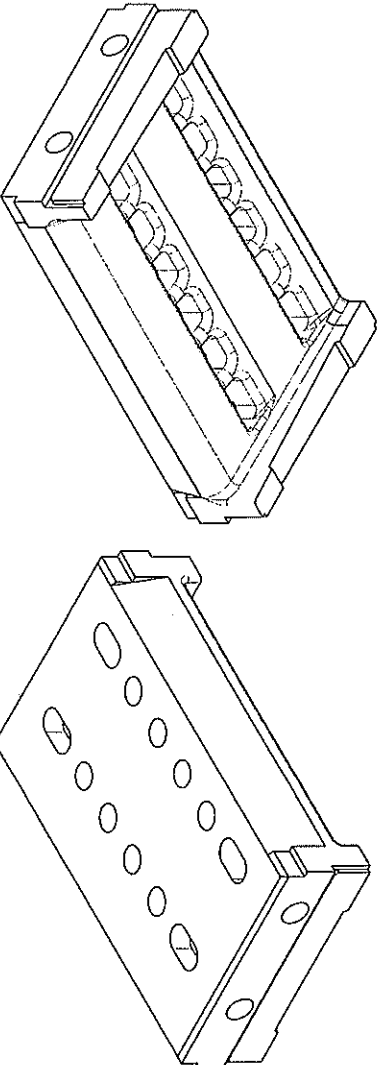
REV	DATE	DESCRIPTION	BY	CHKD
02	14 Nov 2018	REVISION GENERALE GENERAL REVISION	ROBERT M. BOGGS	J. BOGGS
01	24 Aug 2018	MODIFICATO DONE INDICATO REVISIONS WHERE INDICATED	ROBERT M. BOGGS	J. BOGGS
00	22 Jun 2018	ISSUED FOR CONSTRUCTION	ROBERT M. BOGGS	J. BOGGS

**DANIELI WEAN UNITED**  
 Project Name: DP102U080443  
 Part Number: C4010901  
 Drawing Title: TOP GUIDE  
 Scale: 1:10  
 Date: 7/13/2018  
 Drawing Number: 7.406127.1

Drawing Title: TOP GUIDE  
 Scale: 1:10  
 Date: 7/13/2018  
 Drawing Number: 7.406127.1



ISOMETRIC VIEWS



Rev.	Date	Description	Author	Checked
02	14 Nov 2018	REVISIONS GENERAL	DAVID J. BROWN	DAVID J. BROWN
01	24 Aug 2018	MODIFICATION DONE IN CAD	DAVID J. BROWN	DAVID J. BROWN
00	22 Jun 2018	ISSUED FOR CONSTRUCTION	DAVID J. BROWN	DAVID J. BROWN

**DANIEL WEAN UNITED**

DP102U080443 D 318

C4010901

Part Name: BOTTOM GUIDE

Weight (kg): 1.821

Material: 7.132551.0

Part Number: 7.406129.V

Revision: 02

NOTE: ALL MATERIAL MUST BE RESISTANT AGAINST: . MAX 220°F HC . MAX 1400 PSI . MAX TEMP 80°C

ALL MEASUREMENTS REFER TO A MANUFACTURING TEMPERATURE OF 20°C

MATERIAL: GRAVITE SUITABLE FOR CONDITION ABOVE

Scale: 1:10

Part No: 7.406129.V

Rev: 02

Drawn by: DAVID J. BROWN

Checked by: DAVID J. BROWN

Released by: DAVID J. BROWN

Part No: 7.406129.V

Rev: 02

Drawn by: DAVID J. BROWN

Checked by: DAVID J. BROWN

Released by: DAVID J. BROWN